



Illustrated Parts & Packing List

815 Rice Lake Street, Owatonna, MN 55060

For a complete distributor & dealer list go to www.gandy.net

Fixed Rate Bottom, 42-inch Hopper **For the Following Packages** **42H16FR, 42H20FR, 42H26FR** **42T16FR, 42T20FR, 42T26FR** **(Shipped in Three Cartons)**

- 1..... **42-AFR** **Hopper Carton Containing:**
(All Parts & Hardware in Place Unless Otherwise Specified)
- 1 2842721 Hopper, 42-inch
Use: 6 Latch Assembly (280692)
12 Rivet (4/16) (C17-0250-050)
1 Decal, 42-inch Drop Spreader (N02-0001-074)
1 Decal, Conversion Chart (N02-0028-005)
- 1 2899-1 Retainer, Bearing Left w/ Spread plate Bracket
Use: 1 SAE Washer (5/16) (C02-0312-020)
1 Wing Nut (5/16) (C01-0312-020)
- 1 2899-2 Retainer, Bearing Right w/ Spread plate Bracket
Use: 1 SAE Washer (5/16) (C02-0312-020)
1 Wing Nut (5/16) (C01-0312-020)
- 2 090633-C1 End Bearing
- 1 2807953 Center Bearing (For 24-36-42 Inch Hoppers)
Use: 1 Whiz Flange Nut (5/16) (C01-0312-030)
1 Hex Bolt Self Tapping (5/16 x 1) (C03-0312-042)
- 2 28427155 Rotor Bar, Tri-Rod (For 42-Inch Hopper)
- 2 2807156 End Washer
- 1 2808942-1 Spread Plate, With Seal (For 42-inch Hopper)
Use: 3.48 Ft Foam Strip (M05-0500-175)
2 SAE Washer (5/16) (C02-0312-020)
- 1 28427852-Slot with Fixed Rate Bottom, **Must Be Ordered Separately**
- 1 Packet Containing (Operator Manual and Parts & Packing List & Warranty)

SINCE 1979
precisionusa.com
YOUR GOLF COURSE SUPERMARKET
800-345-1960

One of The Following Parts Cartons Shipped With The Spreader:

(All Hardware in Hardware Bag Unless Otherwise Specified)

1..... 42T-AFR..... Trailer Hitch Parts Carton

- 1 2806915..... Hitch Pole
- 1 2806916..... Hitch Pin (**in Place**)
 - Use: 2 Whiz Flange Bolt (5/16 x 5/8) (C03-0312-021) (**in Place**)
 - 1 Hairpin Cotter (3/16) (C21-0177-020)
- 1 28427117-1..... Pole Brace, Left
 - Use: 1 Whiz Flange Bolt (5/16 x 5/8) (C03-0312-021)
 - 1 Whiz Flange Nut (5/16) (C01-0312-030)
- 1 28427117-2..... Pole Brace, Right
 - Use: 1 Whiz Flange Bolt (5/16 x 5/8) (C03-0312-021)
 - 1 Whiz Flange Nut (5/16) (C01-0312-030)
- 1 28427135..... Angle Post, Forward Crank Support
 - Use: 1 Hex Bolt (5/16 x 2-1/2) (C03-0312-101)
 - 1 Whiz Flange Nut (5/16) (C01-0312-030)
- 1 28427136..... Bracket, Rear Crank Support
 - Use: 2 Hex Bolt (1/4 x 3/4) (C03-0250-030)
 - 2 Whiz Flange Nut (1/4) (C01-0250-030)
- 1 2808942-5..... Adjustable Strap, Spread Plate
- 1 2808942-4..... Lower, Strap, Spread Plate
 - Use: 1 Whiz Flange Nut (1/4) (C01-0250-030)
 - 1 Hairpin Cotter (3/16) (C21-0177-020)
- 1 2899-7..... Clevis, Hitch Pole
 - Use: 1 Hex Bolt (5/16 x 2) (C03-0312-080)
 - 1 Whiz Flange Nut (5/16) (C01-0312-030)
- 1 2808942-3..... Shut-Off Crank
 - Use: 1 Grip, Yellow (3/8 x 3) (J01-0375-302)
 - 1 Wrought Washer (3/8) (C02-0375-030)
 - 1 Cotter Pin (1/8 x 3/4) (C20-0125-020)

1..... 42T-HFR Hardware Bag Containing:

- 3..... C01-0250-030..... Whiz Flange Nut (1/4)
- 4..... C01-0312-030..... Whiz Flange Nut (5/16)
- 1..... C02-0375-030..... Wrought Washer (3/8)
- 2..... C03-0250-030..... Hex Bolt (1/4 x 3/4)
- 2..... C03-0312-021..... Whiz Flange Bolt (5/16 x 5/8)
- 1..... C03-0312-080..... Hex Bolt (5/16 x 2)
- 1..... C03-0312-101..... Hex Bolt (5/16 x 2-1/2)
- 1..... C20-0125-020..... Cotter Pin (1/8 x 3/4)
- 2..... C21-0177-020..... Hairpin Cotter (3/16)
- 1..... J01-0375-302..... Grip, Yellow (3/8 x 3)

-OR-

- 1..... 42H-AFRPush Handle Parts Carton**
(All Hardware in Hardware Bag Unless Otherwise Specified)
- 1 2806915 Hitch Pole
 - 1 28427125-1 Pole Brace, Left
 - Use: 1 Whiz Flange Bolt (5/16 x 5/8) (C03-0312-021)
 - 1 Whiz Flange Nut (5/16) (C01-0312-030)
 - 1 28427125-2 Pole Brace, Right
 - Use: 1 Whiz Flange Bolt (5/16 x 5/8) (C03-0312-021)
 - 1 Whiz Flange Nut (5/16) (C01-0312-030)
 - 1 28427225-6 Bracket, Crank Rod (**Assembled To 2808942-6 & 28427225-4**)
 - Use: 1 Hex Bolt (5/16 x 1-3/4) (C03-0312-070)
 - 1 Whiz Flange Nut (5/16) (C01-0312-030)
 - 1 2808942-6 Crank Rod (**in Place**)
 - 1 28427225-8 Knuckle, Joint (**in Place**)
 - Use: 1 Wrought Washer (3/8) (C02-0375-030) (**in Place**)
 - 1 Cotter Pin (1/8 x 3/4) (C20-0125-020) (**in Place**)
 - 1 2899-7 Clevis, Hitch Pole (Bolt to Center Bearing Stud, Side w/ 5/16 Whiz Nut)
 - Use: 1 Hex Bolt (5/16 x 2) (C03-0312-080)
 - 1 Whiz Flange Nut (5/16) (C01-0312-030)
 - 1 28427225-4 T-Handle
 - Use: 1 Hex Bolt (5/16 x 2) (C03-0312-080)
 - 1 Lock Nut, Nylon (5/16) (C01-0312-040)
 - 2 Grip; Yellow (1 x 4-5/8) (J01-1000-462)
 - 1 28427125-3 Stand
 - Use: 1 Hex Bolt (5/16 x 2-1/2) (C03-0312-101)
 - 1 Whiz Flange Nut (5/16) (C01-0312-030)
 - 1 28427225-9 Control Lever
 - Use: 1 Cotter Pin (1/8 x 3/4) (C20-0125-020)
 - 1 Grip, Yellow (3/8 x 3) (J01-0375-302)
 - 1 2808942-5 Adjustable Strap, Spread Plate
 - Use: 1 Wrought Washer (3/8) (C02-0375-030)
 - 1 Cotter Pin (1/8 x 3/4) (C20-0125-020)
 - 1 2808942-4 Lower Strap, Spread Plate
 - Use: 1 Whiz Flange Nut (1/4) (C01-0250-030)
 - 1 Hairpin Cotter (3/16) (C21-0177-020)
- 1 42H-HFRHardware Bag Containing:**
- 1 C01-0250-030 Whiz Flange Nut (1/4)
 - 4 C01-0312-030 Whiz Flange Nut (5/16)
 - 1 C01-0312-040 Lock Nut, Nylon (5/16)
 - 2 C02-0375-030 Wrought Washer (3/8)
 - 2 C03-0312-021 Whiz Flange Bolt (5/16 x 5/8)
 - 1 C03-0312-070 Hex Bolt (5/16 x 1-3/4)
 - 2 C03-0312-080 Hex Bolt (5/16 x 2)
 - 1 C03-0312-101 Hex Bolt (5/16 x 2-1/2)
 - 3 C20-0125-020 Cotter Pin (1/8 x 3/4)
 - 1 C21-0177-020 Hairpin Cotter (3/16)
 - 1 J01-0375-302 Grip, Yellow (3/8 x 3)
 - 2 J01-1000-462 Grip, Yellow (1 x 4-5/8)

Optional Wheel Assemblies

One of The Following Wheel Cartons Shipped With The Spreader:

16-inch Pneumatic Tire & Wheel Assembly Consisting of:

1..... 2816896..... Wheel Carton, (2) 16-inch Wheels w/Adaptors Containing:

2 R02-0016-000..... 16-inch Pneumatic Tire Mounted On Rim

1 2816896-A..... Parts Bag Containing:

- Use: 2 Hairpin Cotter (.08 x 1-9/16) (C21-0072-020)
- 2 Clevis Pin (3/8 x 1-3/4) (C22-0375-100)
- 2 Spring Pin (3/16 x 1) (C23-0187-140)
- 2 Wheel Adaptor (28427155-6)

-OR-

20-inch Semi-Pneumatic Tire & Wheel Assembly Consisting of:

1..... 28A20716..... Wheel Carton, (2) 20-inch Wheels Containing:

2 28B20716 20 Inch Wheel, Tire & Adapter Assembly Consisting of:

- Use: 2 Wheel & Tire Mounted (28B20716-C3)
- 2 Wheel Adapter 20-26 Inch (For 5/8-inch Shaft) (2826896-1)
- 2 Cotter Pin (3/16 x 2-1/2) (C20-0187-080)

-OR-

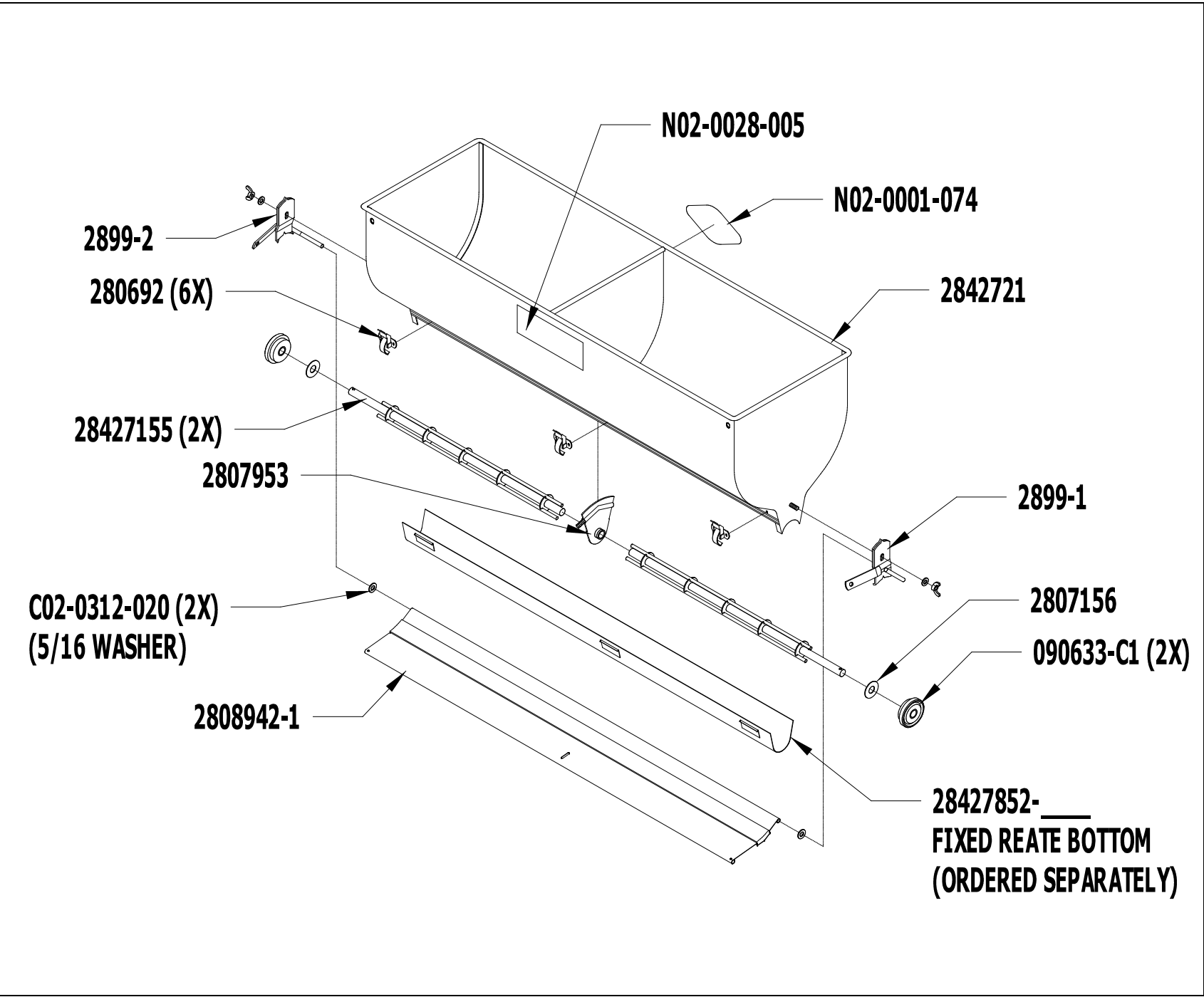
26-inch Semi-Pneumatic Tire & Wheel Assembly Consisting of:

1..... 28A26716..... Wheel Carton, (2) 26-inch Wheels Containing:

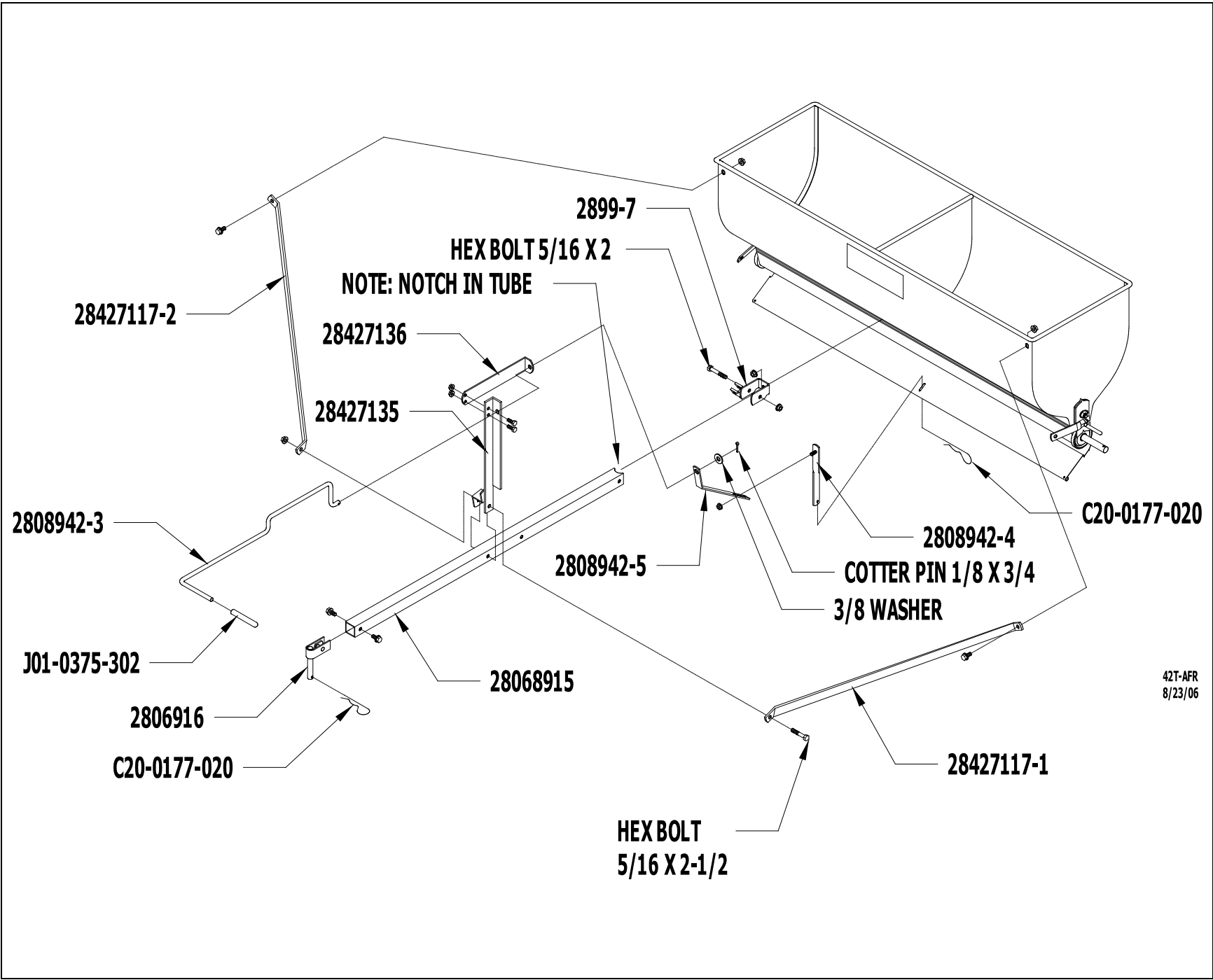
2 28B26716 26 Inch Wheel, Tire & Adapter Assembly Consisting of:

- Use: 2 Wheel & Tire Mounted (28B26716-C3)
- 2 Wheel Adapter 20-26 Inch (For 5/8-inch Shaft) (2826896-1)
- 2 Cotter Pin (3/16 x 2-1/2) (C20-0187-080)

42T-AFR Hopper Assembly



42T-AFR Trailer Hitch Assembly

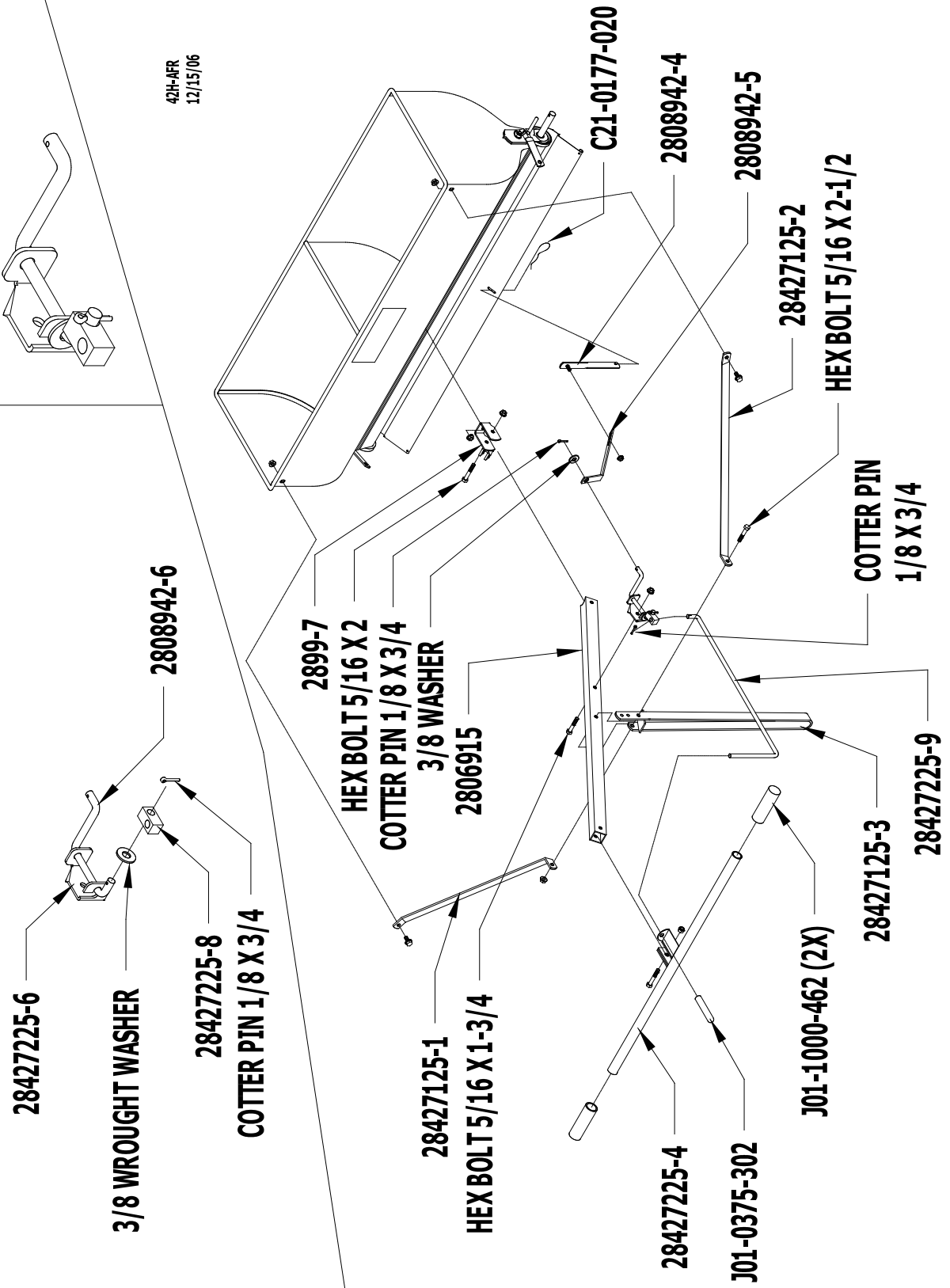


42H-AFR Push Handle Assembly

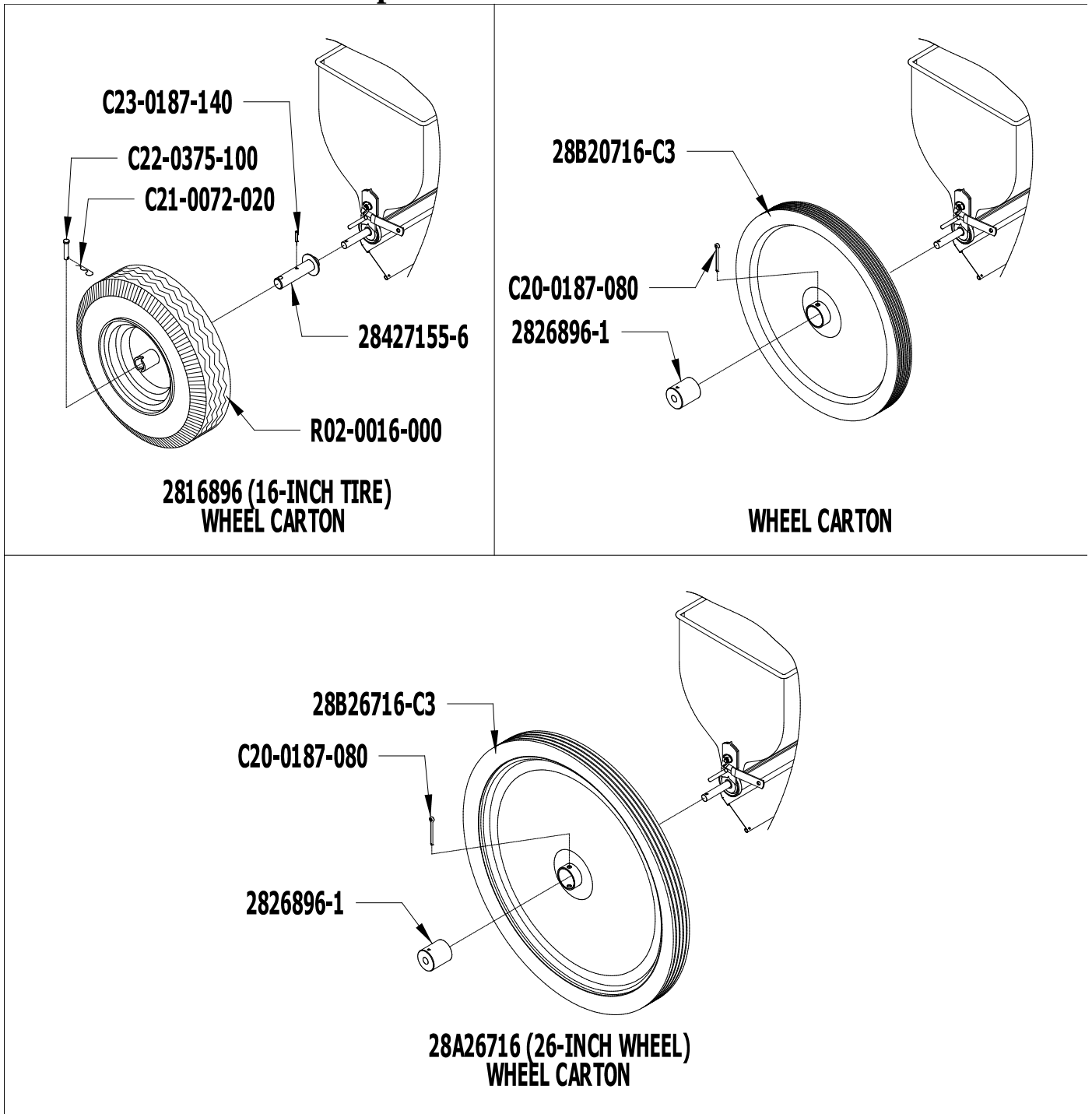
42H-AFR
12/15/06

ASSEMBLED VIEW

NOTE: THESE PARTS ARE ASSEMBLED AT FACTORY



Optional Wheel Assemblies



© TIRE CARTONS 1/2012

GDY-42H16FR-PPL
 Drawings: 42-AFR, 42T-AFR, 42H-AFR, 42 TIRE CARTONS
 October 18, 2012
 Revised From (1/20/12)
 Printed in the USA